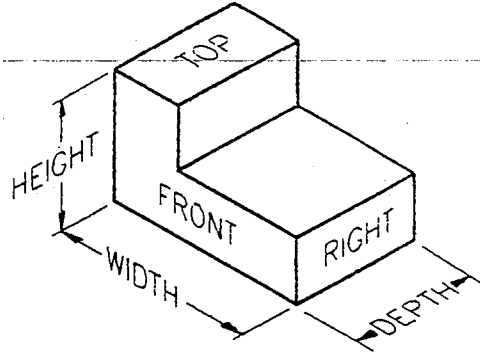


ORTHOGRAPHIC PROJECTION EXERCISE

This practice exercise will help you develop the three orthographic views of the sample object shown. After completing this sample exercise, you will be given the opportunity to solve other similar problems on the pages that follow.

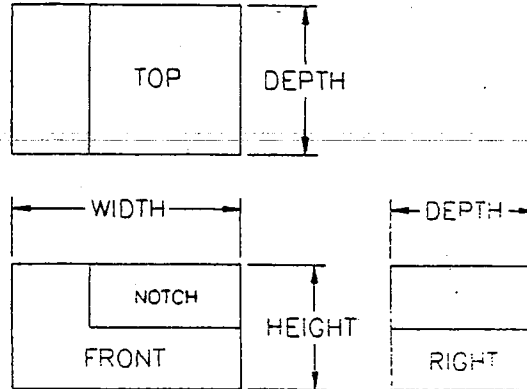
PROBLEM:

Using what you have learned about orthographic projection, draw the three views of the part shown to the right. Pay close attention to how the TOP, FRONT, and RIGHT side views have been labeled.



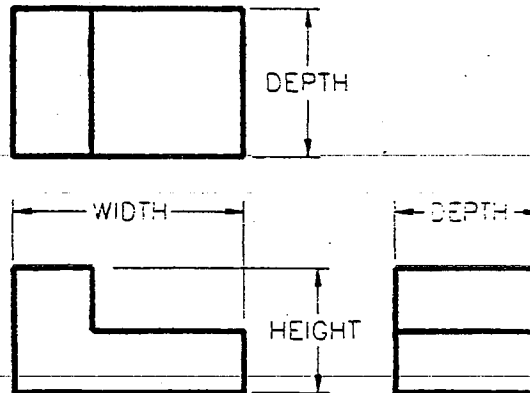
STEP 1:

Block in the FRONT, TOP, and RIGHT side views as shown to the right. Make sure when laying out the views that you allow enough room for dimensioning. We will cover dimensioning later in this course. Next, remove the notch from the FRONT view. Note that the notch will be shown by single lines in the TOP and RIGHT side views.



STEP 2:

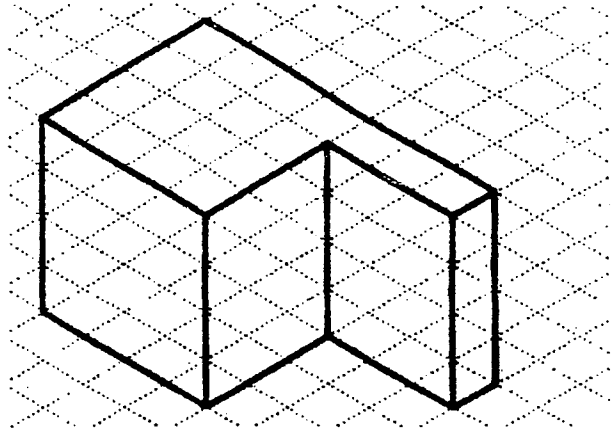
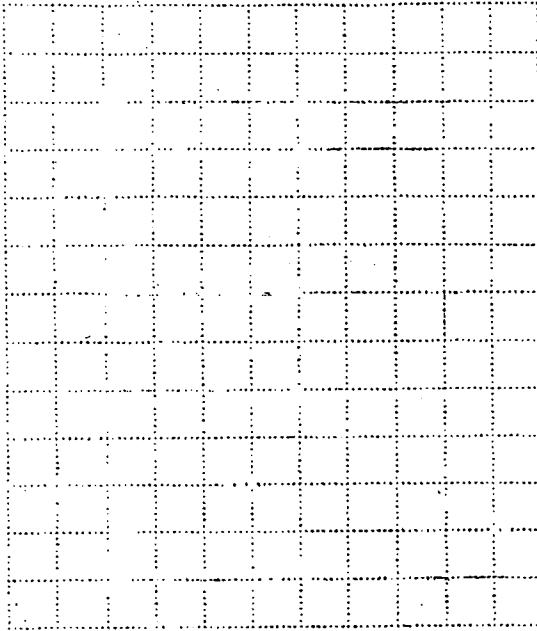
As part of the finishing touch, darken in the object lines and erase the notch lines that are not part of the actual object. Again, it is very important that your finished views line up with each other. If this was a formal drawing, the dimensions would also be added in their proper line weights. The finished product should have good contrast between the object lines and dimensioning.



Date:	score; /60	Name:	class:
-------	---------------	-------	--------

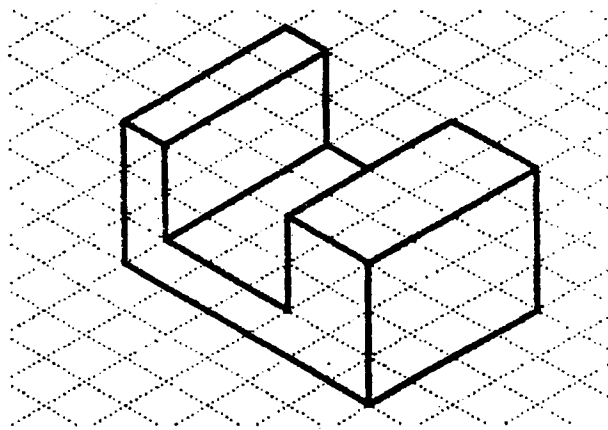
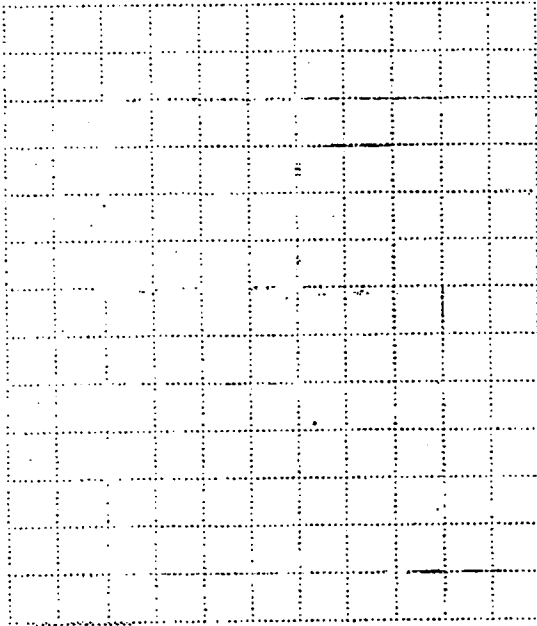
PROBLEM 1.

DRAW THE THREE ORTHOGRAPHIC VIEWS OF THE PART SHOWN.



PROBLEM 2.

DRAW THE THREE ORTHOGRAPHIC VIEWS OF THE PART SHOWN.

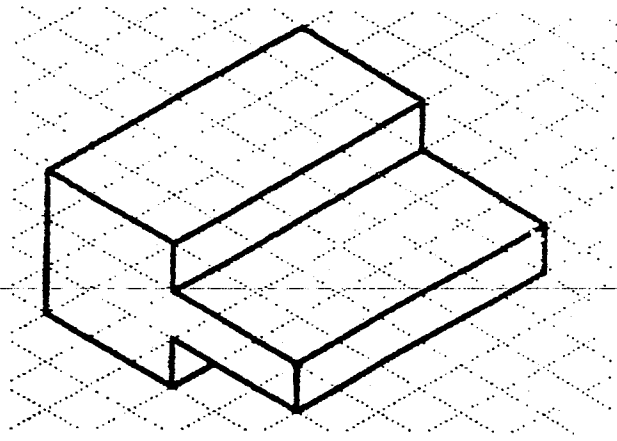
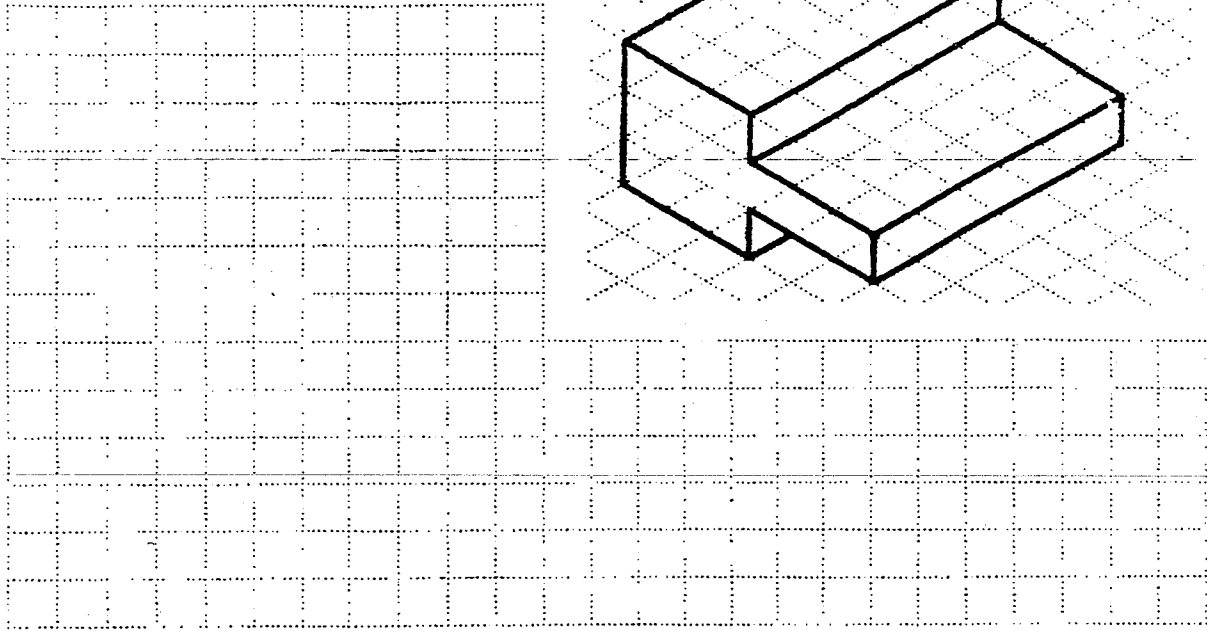


NAME:

DATE:

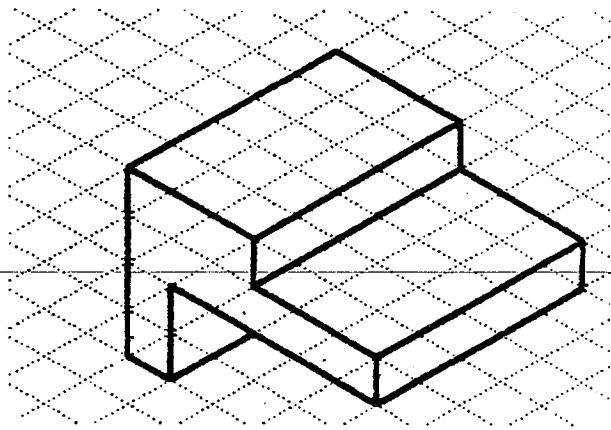
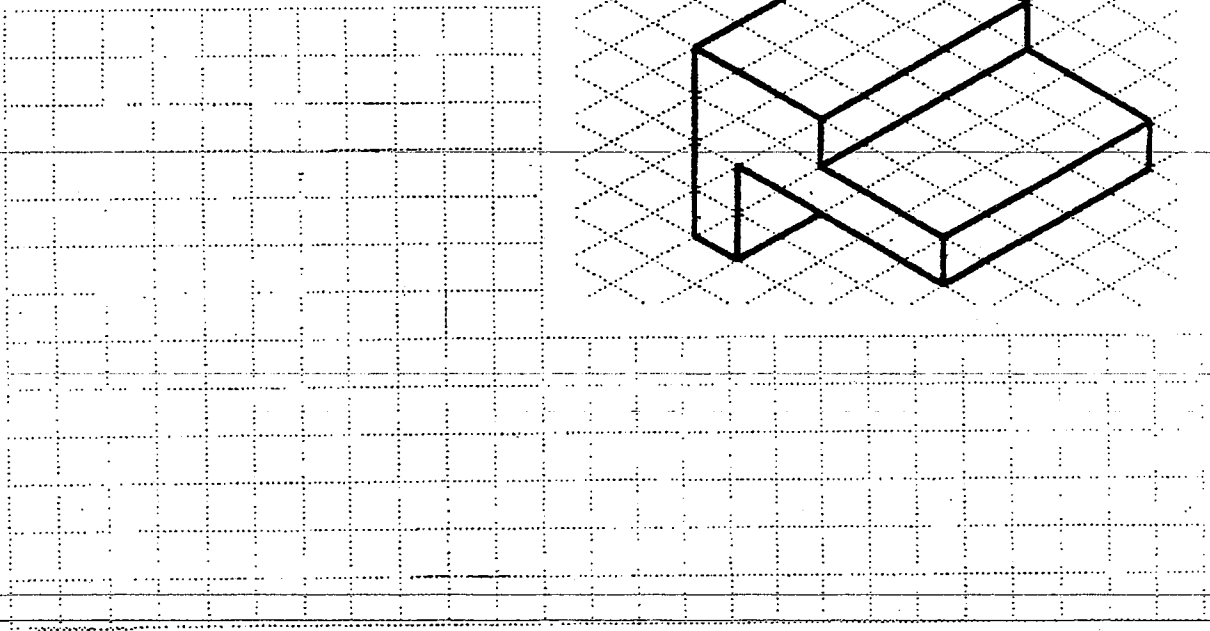
PROBLEM 3.

DRAW THE THREE ORTHOGRAPHIC VIEWS OF THE PART SHOWN.



PROBLEM 4.

DRAW THE THREE ORTHOGRAPHIC VIEWS OF THE PART SHOWN.

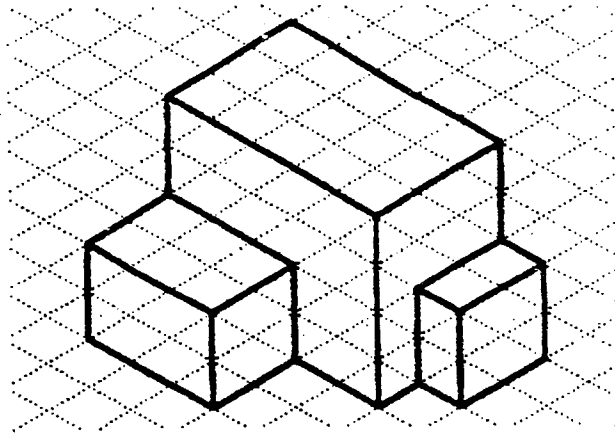


NAME:

DATE:

PROBLEM 5.

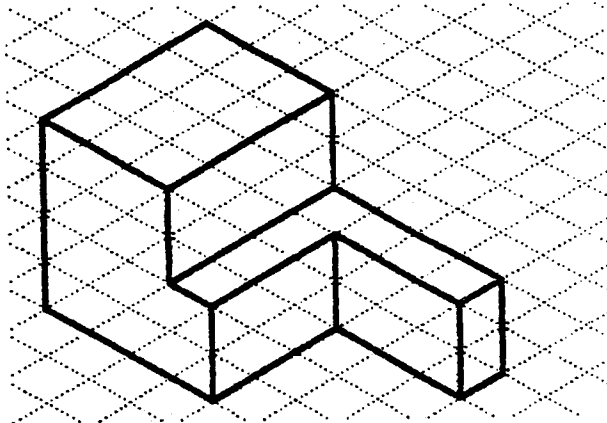
DRAW THE THREE ORTHOGRAPHIC VIEWS OF THE PART SHOWN.



A large grid of dotted lines for drawing the orthographic views of the part shown in the isometric drawing above.

PROBLEM 6.

DRAW THE THREE ORTHOGRAPHIC VIEWS OF THE PART SHOWN.



A large grid of dotted lines for drawing the orthographic views of the part shown in the isometric drawing above.

NAME:

DATE: